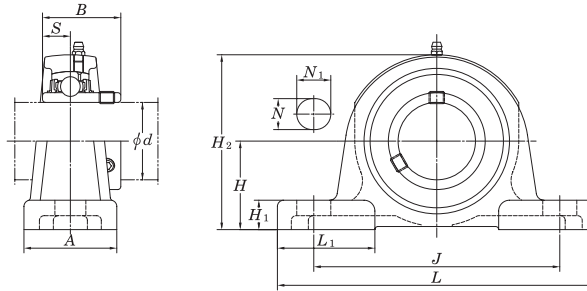


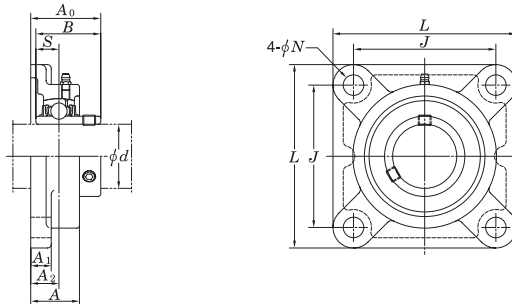
UCP 200



d 12~90mm

Shaft Dia mm	Unit No.	Boundary dimensions mm										Bolt size mm	Insert No.	Housing No.	Mass kg (approx.)
		H	L	J	A	N	N ₁	H ₁	H ₂	B	S				
12	UCP 201	30.2	127	95	38	13	19	15	62	31.0	12.7	M 10	UC 201	P 203	0.65
15	UCP 202	30.2	127	95	38	13	19	15	62	31.0	12.7	M 10	UC 202	P 203	0.63
17	UCP 203	30.2	127	95	38	13	19	15	62	31.0	12.7	M 10	UC 203	P 203	0.62
20	UCP 204	33.3	127	95	38	13	19	15	65	31.0	12.7	M 10	UC 204	P 204	0.65
25	UCP 205	36.5	140	105	38	13	16	16	70	34.1	14.3	M 10	UC 205	P 205	0.79
30	UCP 206	42.9	165	121	48	17	21	18	83	38.1	15.9	M 14	UC 206	P 206	1.26
35	UCP 207	47.6	167	127	48	17	21	19	94	42.9	17.5	M 14	UC 207	P 207	1.59
40	UCP 208	49.2	184	137	54	17	25	19	100	49.2	19.0	M 14	UC 208	P 208	1.92
45	UCP 209	54.0	190	146	54	17	22	20	108	49.2	19.0	M 14	UC 209	P 209	2.19
50	UCP 210	57.2	206	159	60	20	25	22	114	51.6	19.0	M 16	UC 210	P 210	2.59
55	UCP 211	63.5	219	171	60	20	25	22	126	55.6	22.2	M 16	UC 211	P 211	3.30
60	UCP 212	69.8	241	184	70	20	25	25	138	65.1	25.4	M 16	UC 212	P 212	4.70
65	UCP 213	76.2	265	203	70	25	29	27	150	65.1	25.4	M 20	UC 213	P 213	5.60
70	UCP 214	79.4	266	210	72	25	31	27	156	74.6	30.2	M 20	UC 214	P 214	7.30
75	UCP 215	82.6	275	217	74	25	31	28	163	77.8	33.3	M 20	UC 215	P 215	7.90
80	UCP 216	88.9	292	232	78	25	31	30	175	82.6	33.3	M 20	UC 216	P 216	10.00
85	UCP 217	95.2	310	247	83	25	31	32	187	85.7	34.1	M 20	UC 217	P 217	12.20
90	UCP 218	101.6	327	262	88	27	33	34	200	96.0	39.7	M 22	UC 218	P 218	14.70

UCF 200



d 12~90mm

Shaft Dia mm	Unit No.	Boundary dimensions mm									Bolt size mm	Insert No.	Housing No.	Mass kg (approx.)
		L	J	A ₂	A ₁	A	N	A ₀	B	S				
12	UCF 201	86	64	15	12	25.5	12	33.3	31.0	12.7	M 10	UC 201	F 204	0.63
15	UCF 202	86	64	15	12	25.5	12	33.3	31.0	12.7	M 10	UC 202	F 204	0.61
17	UCF 203	86	64	15	12	25.5	12	33.3	31.0	12.7	M 10	UC 203	F 204	0.60
20	UCF 204	86	64	15	12	25.5	12	33.3	31.0	12.7	M 10	UC 204	F 204	0.58
25	UCF 205	95	70	16	14	27.0	12	35.8	34.1	14.3	M 10	UC 205	F 205	0.72
30	UCF 206	108	83	18	14	31.0	12	40.2	38.1	15.9	M 10	UC 206	F 206	1.01
35	UCF 207	117	92	19	16	34.0	14	44.4	42.9	17.5	M 12	UC 207	F 207	1.38
40	UCF 208	130	102	21	16	36.0	16	51.2	49.2	19.0	M 14	UC 208	F 208	1.77
45	UCF 209	137	105	22	18	38.0	16	52.2	49.2	19.0	M 14	UC 209	F 209	2.07
50	UCF 210	143	111	22	18	40.0	16	54.6	51.6	19.0	M 14	UC 210	F 210	2.36
55	UCF 211	162	130	25	20	43.0	19	58.4	55.6	22.2	M 16	UC 211	F 211	3.40
60	UCF 212	175	143	29	20	48.0	19	68.7	65.1	25.4	M 16	UC 212	F 212	4.02
65	UCF 213	187	149	30	20	50.0	19	69.7	65.1	25.4	M 16	UC 213	F 213	4.98
70	UCF 214	193	152	31	24	54.0	19	75.4	74.6	30.2	M 16	UC 214	F 214	5.56
75	UCF 215	200	159	34	24	56.0	19	78.5	77.8	33.3	M 16	UC 215	F 215	6.22
80	UCF 216	208	165	34	24	58.0	23	83.3	82.6	33.3	M 20	UC 216	F 216	7.48
85	UCF 217	220	175	36	26	63.0	23	87.6	85.7	34.1	M 20	UC 217	F 217	8.77
90	UCF 218	235	187	40	26	68.0	23	96.3	96.0	39.7	M 20	UC 218	F 218	10.74